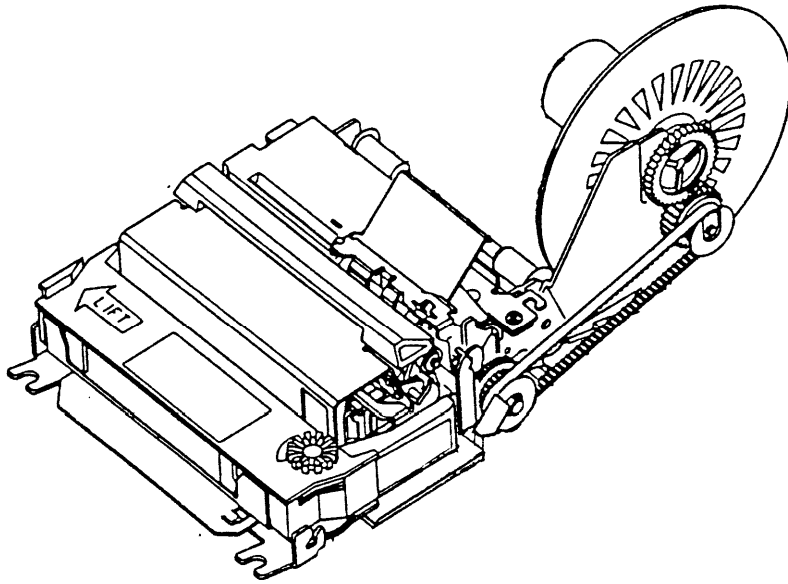


# SHARP SERVICE MANUAL

CODE : 00ZM280V/SM-E



## IMPACT DOT MATRIX PRINTER

### MODEL **M-280V**

(FOR ER-3210, ER-2975)

#### CONTENTS

1.1 OVERVIEW .....	1
1.2 OPERATING PRINCIPLES .....	4
2.1 HANDLING THE PRINTER.....	18
2.2 MAINTENANCE.....	21
2.3 LUBRICATION .....	22
2.4 TOOLS AND LUBRICANTS .....	23
2.5 REPAIR .....	23
3.1 DISASSEMBLY .....	29
3.2 ASSEMBLY .....	29
3.3 ADJUSTMENTS.....	60
4 Parts Guide	

This is a “Table of Contents preview” for quality assurance

The full manual can be purchased from our store:

[https://the-checkout-tech.com/manuals/sharp/M-280V internal printer service manual.htm](https://the-checkout-tech.com/manuals/sharp/M-280V%20internal%20printer%20service%20manual.htm)

And our free Online Keysheet maker:

<https://the-checkout-tech.com/Cash-Register-Keysheet-Creator/>

[HTTPS://THE-CHECKOUT-TECH.COM](https://THE-CHECKOUT-TECH.COM)